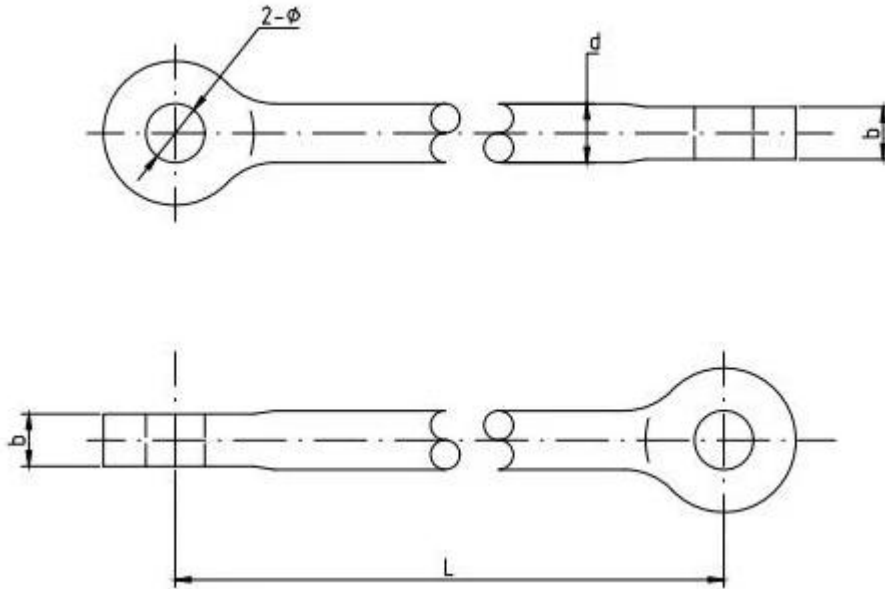


**Overview**

extension Rods are used in suspension insulator strings and tension insulator strings to connect with other hardware or insulators. This product is forged with high quality steel to ensure the stability and reliability of its strength.

**Extension Rods (Type YL)**

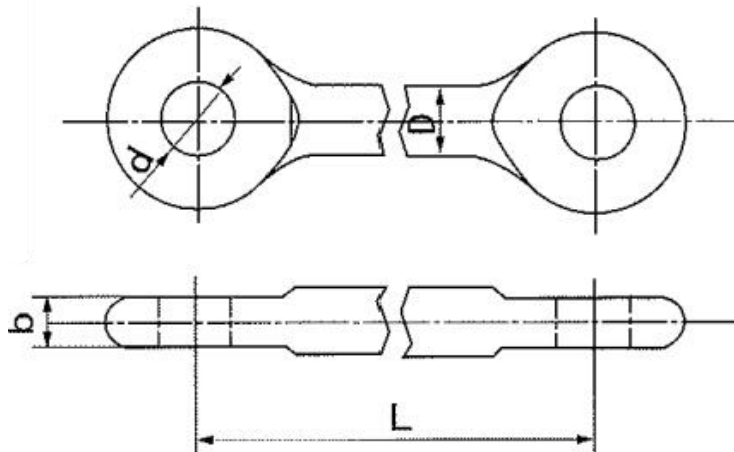
Hot-dip galvanized steel.



Catalog No.	Dimensions(mm)				Rated Failure Load(kN)	Weight(kg)
	D	d	b	L		
YL-1012	18	20	16	120	100	0.8
YL-1040	18	20	16	400	100	1.1
YL-1050	18	20	16	500	100	1.4
YL-1069	18	20	16	690	100	1.9
YL-10100	18	20	16	1000	100	2.2
YL-1243	22	24	18	430	120	1.6
YL-1643	22	26	18	430	160	1.6
YL-2043	24	30	20	430	200	3

**Extension Rods (Type YLP)**

Hot-dip galvanized steel.



Catalog No.	Dimensions(mm)	Rated Failure Load(kN)	Weight (kg)
-------------	----------------	------------------------	-------------

	D	d	b	L		
YLP-16260	24	26	20	260	160	1.6
YLP-16850	24	26	20	850	160	3.7
YLP-16910	24	26	20	910	160	3.9
YLP-16970	24	26	20	970	160	4.1
YLP-16990	24	26	20	990	160	4.3
YLP-25855	30	33	30	855	250	6.2
YLP-25915	30	33	30	915	250	6.6
YLP-25935	30	33	30	935	250	6.7